

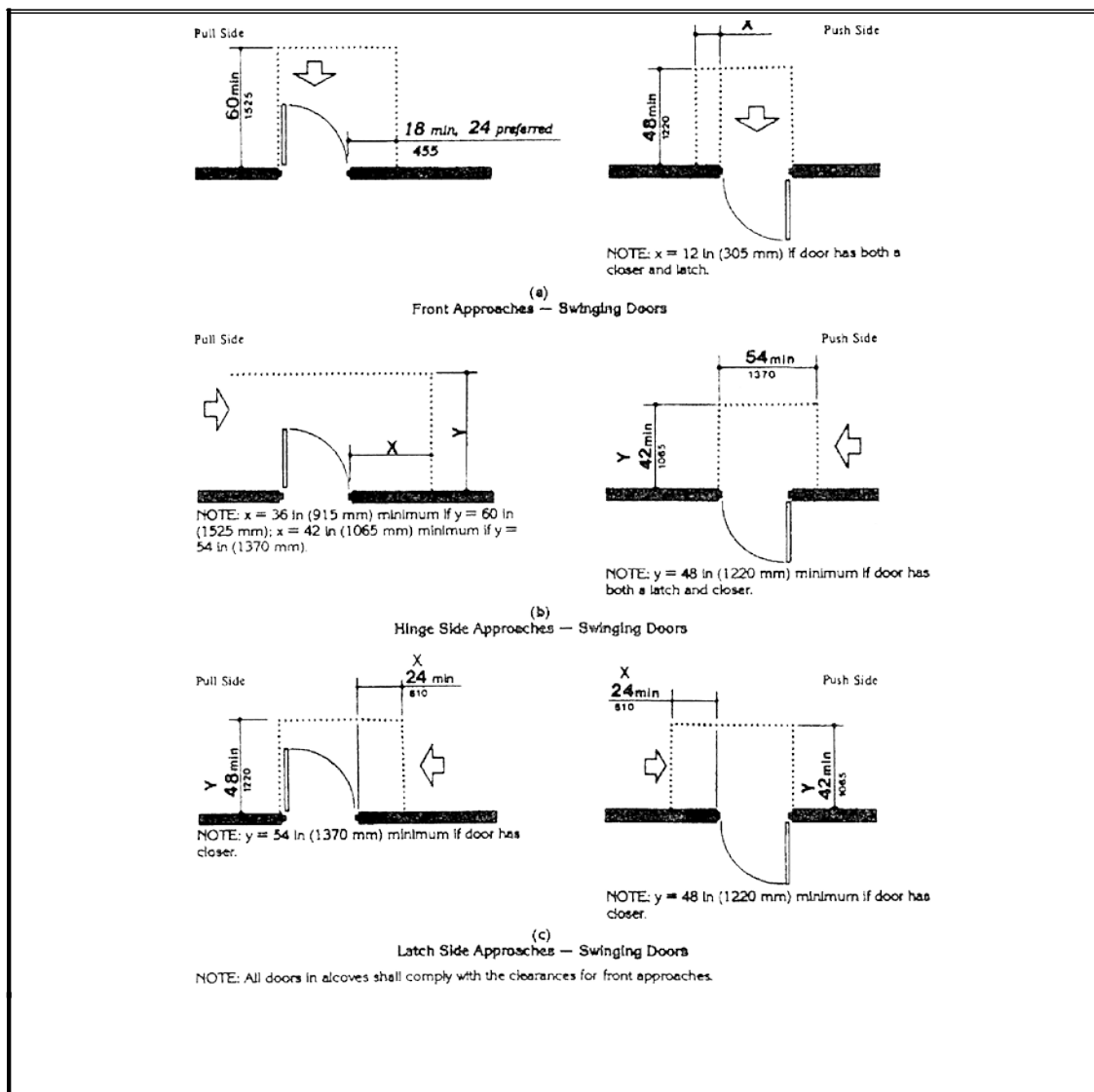
This site evaluation form may seem a little overwhelming but do your best to review these pages and fill in the blanks. WE are here to help you with this, fax in what you can.

You can also send us by email a photo of your ramp site and this will help us to see if there are any issues or considerations that you may not be aware of. Send your photo to:

info@livingfreehome.com

Put your name and phone number on the email so we can get in touch with your to review. We want your ramp to work the first time with all of the necessary parts and pieces delivered.

Fig b. door swings



SITE EVALUATION

1) SITE EVALUATION

Evaluate the ramp site review the guidelines relating to a 1:12 slope (12 inches of ramp to one inch of rise, or 4.8°). There are times that a site may not allow for this incline; this and other considerations need to be addressed for each site evaluation.

2) PICK A START AND END POINT FOR THE RAMP

What is the approximate workable area that the ramp system can occupy? For a wheelchair to transition smoothly onto or off from the ramp, the top and bottom of the ramp should be placed on a firm, level surface. Are platforms or landing pads needed? (Guidelines suggest a 5' x 5' maneuvering area, which can be either a porch or platform.) Consider these variations:

A) CONNECTS TO EXISTING PORCH

If the top of the ramp connects to a porch, account for the door swing and chair maneuvering room (FIG B).

B) OVER AN EXISTING PORCH OR STEPS

If the platform is over an existing porch, be aware that the deck of the platform will be 3½-inches higher than the surface of the porch or steps. If the door (or screen door) swings outward, the platform will not allow the door to open. If this happens, two options are available:

- i. A custom porch platform is available that adds only 1½" to the height of the porch surface.
- ii. Mount the platform flush to the front edge of the porch.

C) DIRECTLY AGAINST A DOOR (WITHOUT PORCH)

If a platform used is directly against a door it is best to keep the platform surface even with the doorway threshold.

D) IT IS RECOMMENDED NOT TO CONNECT A RAMP DIRECTLY TO A DOOR WITHOUT A LANDING.

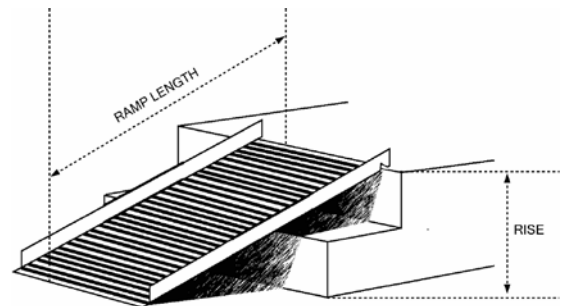
This does not allow safe maneuvering room to open the door.

3) IS THE PORCH WOOD OR CONCRETE?

The upper end of the ramp or platform must be attached to the porch. Fasteners are supplied that will attach to either wood or concrete (a masonry bit or rotary hammer will be necessary for the concrete fasteners).

4) MEASURE THE TOTAL RISE (see diagram at right)

A) The length of the ramp needed is determined by the total rise (the vertical height of the area requiring a ramp). The total rise is the difference in height between the top of the steps or landing and the ground. Using a builder's level or tape measure, determine the rise and keep in mind that this measurement always includes door thresholds, steps, and all slopes down to the lowest area (uneven yard, etc.).



B) Once this height is determined, (i.e., 40" rise), measure out 40' to see if there are additional drops or difference in rise due to uneven yard, etc.

5) CONSIDER HANDRAILS

EZ-ACCESS, along with most regulatory agencies and building codes, recommends the use of handrails for all modular ramps. A minimum of 1½" of outside clearance is needed for finger allowance (see ADA 4.8.5 for additional information on handrails).

When handrails are attached, the overall outside width of the ramp is 43" (includes handrails as well as supports). When measuring for the system, be sure to allow for 43".

6) LOOK FOR OBSTACLES

Describe any porch railings, trees, shrubs, etc. that may interfere with the ramps, platforms, platform support tubes, rails, and ramp support assemblies.

7) COMBINED LENGTH

What is the combined length of ramp system (NOT including platforms)?

8) DETERMINE SURFACE

What type of surface is at the bottom of the ramp? Is it level and suitable for wheelchair use?

9) COMPLETE "SITE EVALUATION WORKSHEET" AND WE WILL QUOTE THE RAMP

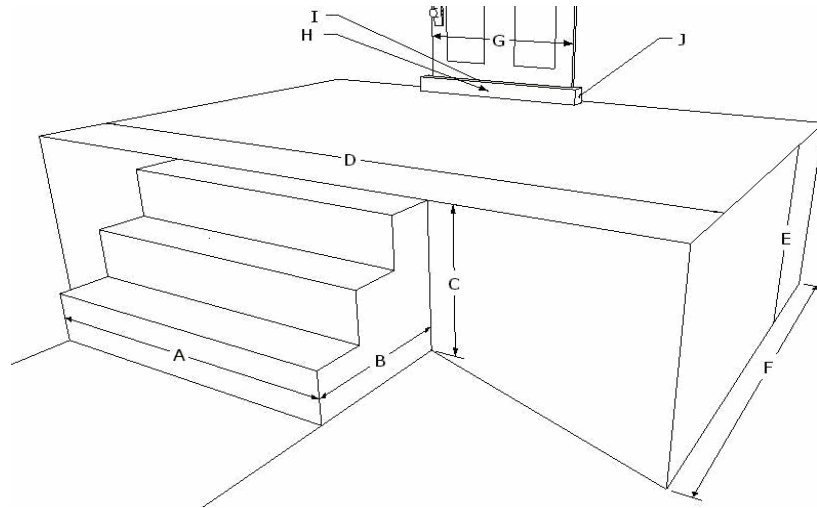
ENTRY REFERENCE WORKSHEET

PROJECT # _____

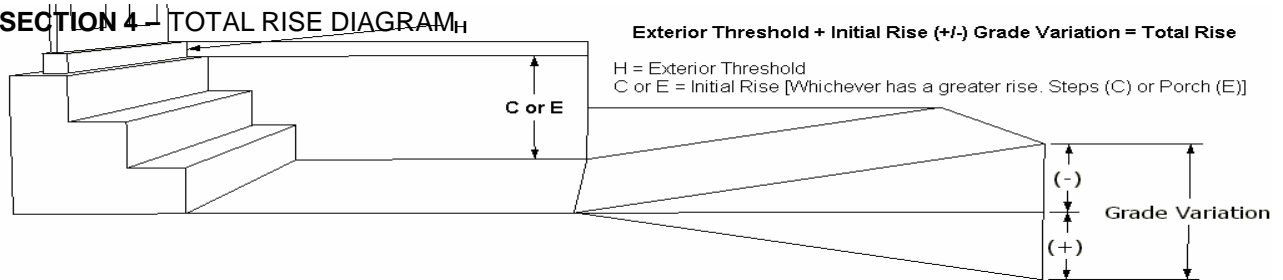
SECTION 1 – EVALUATOR'S NAME	SECTION 2 – END USER NAME
------------------------------	---------------------------

NOTE: All measurements that do not apply to the entry are to be given a value of 0

SECTION 3 – ENTRY DIAGRAM



SECTION 4 – TOTAL RISE DIAGRAM



SECTION 5 - MEASUREMENTS

- WIDTH OF STEPS (or between the hand rail) A= _____
- DEPTH OF STEPS..... B= _____
- RISE OF STEPS C= _____
- WIDTH OF PORCH (if differs from steps)..... D= _____
- RISE OF PORCH (if differs from steps) E= _____
- DEPTH OF PORCH F= _____
- WIDTH OF DOOR (usable space) G= _____
- RISE OF EXTERIOR THRESHOLD H= _____
- RISE OF INTERIOR THRESHOLD I= _____
- DEPTH OF THRESHOLD J= _____

SECTION 6 – CLARIFYING QUESTIONS

RISE OF EXTERIOR THRESHOLD	H= _____
INITIAL RISE OF STEPS/PORCH	+C or E= _____
* GRADE VARIATION (if any)	+ or - _____
TOTAL RISE	= _____
IS A BRIDGE PLATE REQUIRED? (yes or no) _____	
THE DOOR OPENS (in or out/left or right) _____	

* Any ground variations should be added (decline) or subtracted (incline) from the total rise.

Living Free Home along with most regulatory agencies, recommends 1-foot of ramp run per 1-inch of rise in height (1:12 ratio). For example, if a porch and steps have a total rise of 20-inches, a ramp with a 20-foot run would be required. Please note that this does not include platforms that may be necessary for the ramp system.

Notes:

Notes: